

U.S. MARINE CORPS

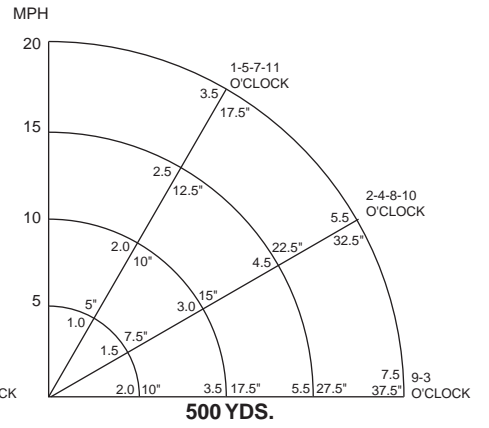
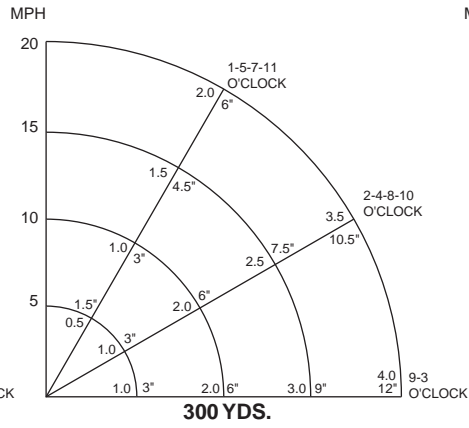
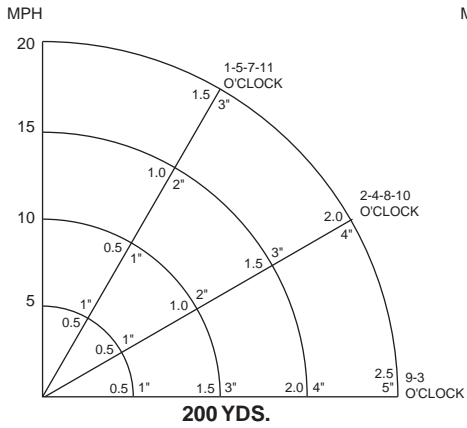
COMPETITIVE RIFLEMAN'S DATA BOOK (3591)



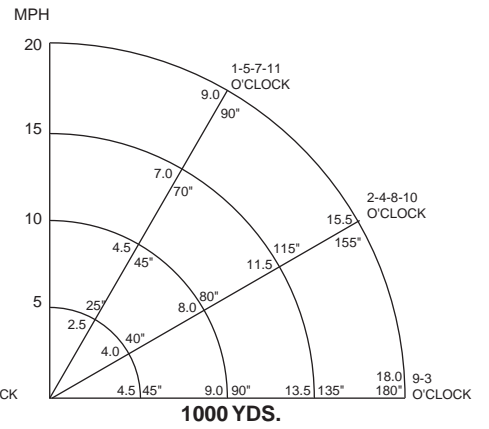
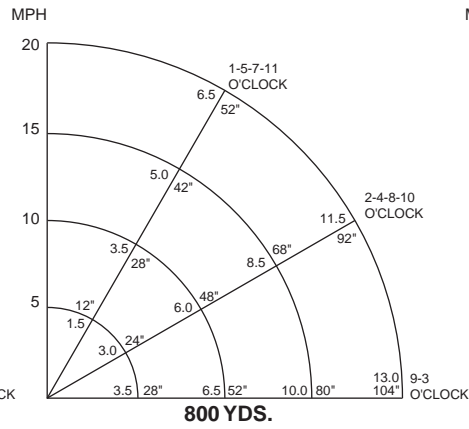
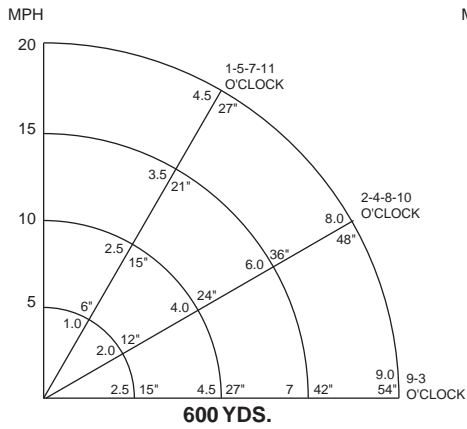
NAME: _____

NAVMC 10787 (REV. 2-78) U/I: BK
(10-68 edition will be used)
SN: 0000-00-006-3131

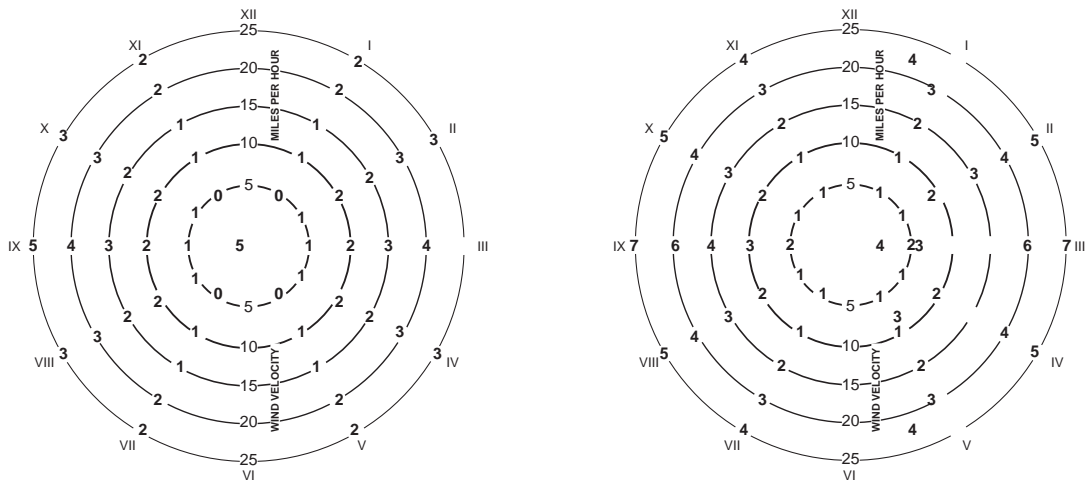
WINDAGE IN ANGULAR MINUTES AND INCHES M72 AMMO. (30 CAL.)



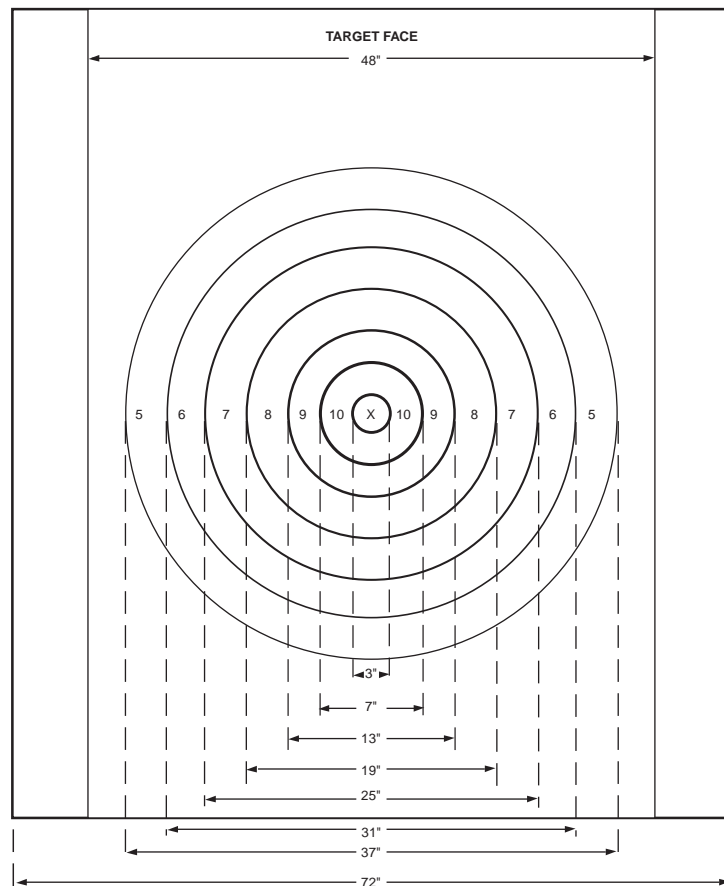
WINDAGE IN ANGULAR MINUTES AND INCHES M72 AMMO. (30 CAL.)



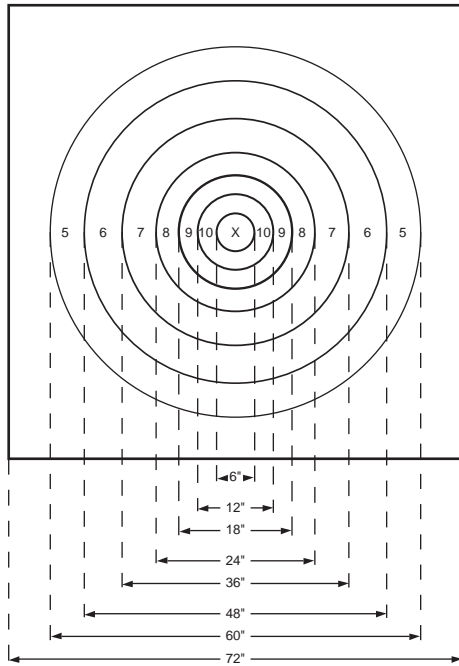
200 YARDS WINDAGE DIAGRAMS 300 YARDS
 Based on 7.62 ammunition with 173 gr. B.T. bullet, M.V. 2610 f.s.



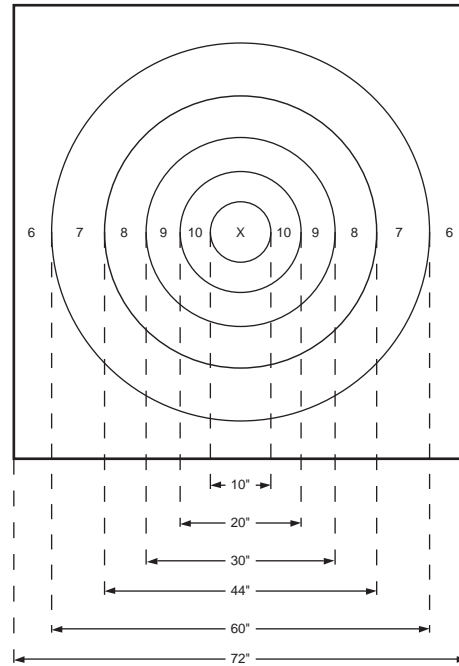
**Circles represent wind velocity as indicated. Roman numerals indicate wind direction.
 Small numerals indicate clicks of windage for 1/2 rear minute sights.**



**TARGET DIMENSIONS
 200 AND 300 YARDS**



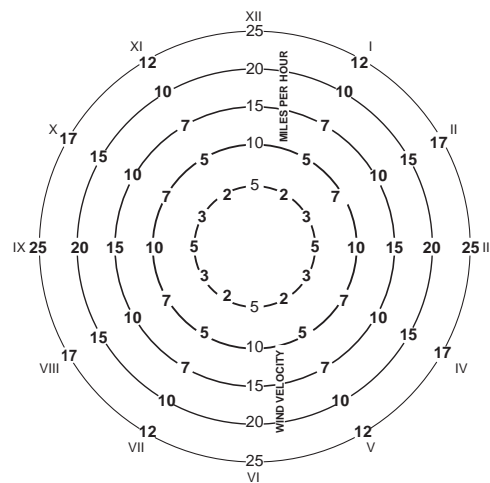
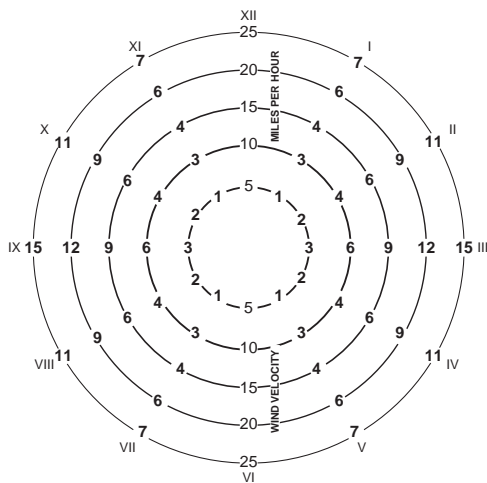
**TARGET DIMENSIONS
600 YARDS**



**TARGET DIMENSIONS
800, 900 AND 1000 YARDS**

600 YARDS WINDAGE DIAGRAMS 1000 YARDS

Based on 7.62 ammunition with 173 gr. B.T. bullet, M.V. 2610 f.s.



**Circles represent wind velocity as indicated. Roman numerals indicate wind direction.
Small numerals indicate clicks of windage for 1/2 rear minute sights.**

200 YARDS RAPID FIRE S-R TARGET

RANGE		TARGET NO.		RIFLE NO.		DATE	
ELEVATION USED		CORRECT		WINDAGE USED		CORRECT	
AMMUNITION		HOUR		SIGHT PICTURE		REMARKS	
MIRAGE		TEMP.		WIND VELOCITY & DIRECTION		SIGHT LIGHT	

300 YARDS RAPID FIRE SR-3 TARGET

RANGE		TARGET NO.		RIFLE NO.		DATE	
ELEVATION USED		CORRECT		WINDAGE USED		CORRECT	
AMMUNITION		HOUR		SIGHT PICTURE		REMARKS	
MIRAGE		TEMP.		WIND VELOCITY & DIRECTION		SIGHT LIGHT	

200 YARDS SLOW FIRE DATA SHEET

S-R TARGET

RANGE		TARGET NO.		RIFLE NO.		DATE	
ELEVATION USED		CORRECT		WINDAGE USED		CORRECT	
AMMUNITION		LIGHT		MIRAGE		TEMP.	
AMMUNITION		LIGHT		MIRAGE		TEMP.	
SIGHT PICTURE		WIND VELOCITY & DIRECTION		REMARKS		REMARKS	
NO.		SS		SS		1	
ELEV.		SS		SS		2	
W.G.		SS		SS		3	
CALL		SS		SS		4	
VALUE		SS		SS		5	
NO.		SS		SS		6	
ELEV.		SS		SS		7	
W.G.		SS		SS		8	
CALL		SS		SS		9	
VALUE		SS		SS		10	

WEAPON RECORD BOOK

TYPE OF WEAPON

SERIAL NUMBER



*THIS RECORD BOOK IS TO REMAIN
WITH THE ABOVE WEAPON
AT ALL TIMES*

